



Engineering Driven  
Customer Service Focused

Providing Engineered  
Magnetic Solutions for **125** Years

[www.dingsmagnets.com](http://www.dingsmagnets.com) | [magsales@dingsco.com](mailto:magsales@dingsco.com)  
(414)672-7830

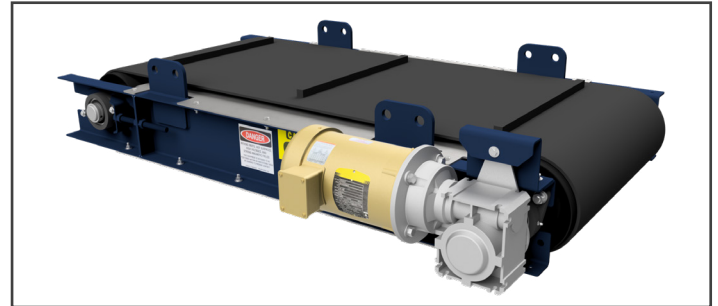
# Magnetic Separation for Recycling Applications



Call us for Expert Support of Dings Co. Equipment - Regardless of its Age

## Overhead Self-Cleaning Magnetic Separators

- ◇ Automatic continuous separation saves time and labor costs.
- ◇ Stainless steel bottom and center wear plate provides extra protection in the main impact area
- ◇ Multi-ply rubber belt with hot vulcanized 1" cleats for superior adhesion



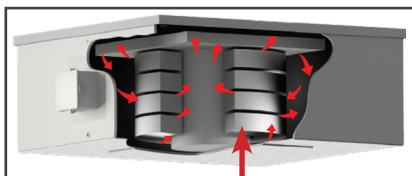
### Dings Self-Cleaning Electromagnet

Dings Self-Cleaning Models' belt continuously travels across the face of the magnet to automatically discharge tramp iron. It comes equipped with a multi-ply rubber belt with 1 inch hot vulcanized cleats.

- ◇ Balanced Magnetic Circuit for maximum efficiency and equal distribution of length, width and depth of magnetic circuit
- ◇ Terminal connection box is NEMA 4 weather tight
- ◇ Stainless steel bottom and center wear plate provides extra protection in the main impact area

### Dings Electromagnetic Coils

- ◇ No insulation is needed with anodized aluminum straps—eliminating the major cause of coil failure (insulation breakdown)
- ◇ More magnetism and separating power - generated by extra turns
- ◇ Each turn is exposed to cooling oil - assuring a stronger, more efficient magnet
- ◇ Eliminates the need for external oil expansion pipes or tanks that require maintenance and can be damaged



Oil Flow =  Anodized Aluminum Strap



**20-Year Warranty on Coil Burnout "Best in Industry"**

### Dings Self-Cleaning Permanent Magnet

The belt continuously travels across the face of the magnet to automatically discharge tramp iron. It comes equipped with a multi-ply rubber belt with 1 inch vulcanized cleats.

- ◇ Unique construction - the best ratio of field strength produced per size & weight of any in the industry!
- ◇ Magnet housing filled with Ceramic VIII magnet material.
- ◇ Non-magnetic stainless steel construction that prevents collection of ferrous metals on the magnet frame.

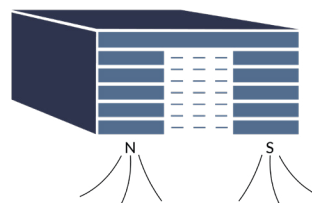
### Dings DFC Design improves the overall performance of the magnet in 3 ways

- ◇ The magnetic field is stronger
- ◇ The magnetic field extends deeper
- ◇ The magnetic field pattern is more uniform



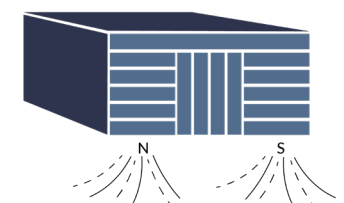
**On Magnetism for all Permanent Magnets**

Conventional Magnetic Circuit With "filler" between the poles



--- Indicates flux leakage in airspace

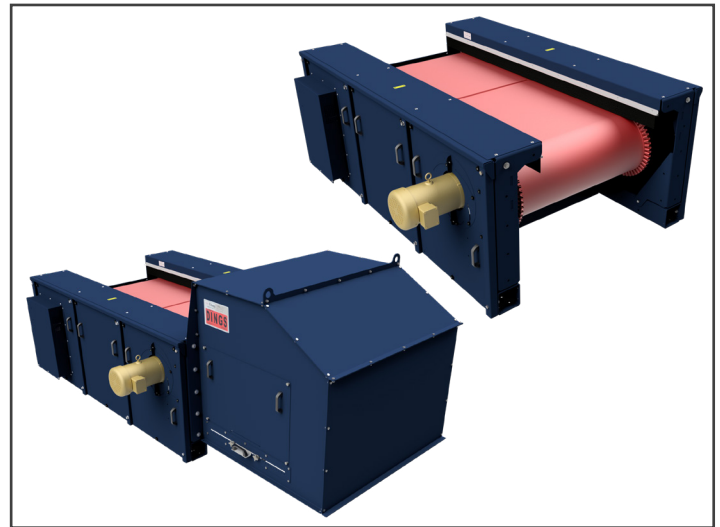
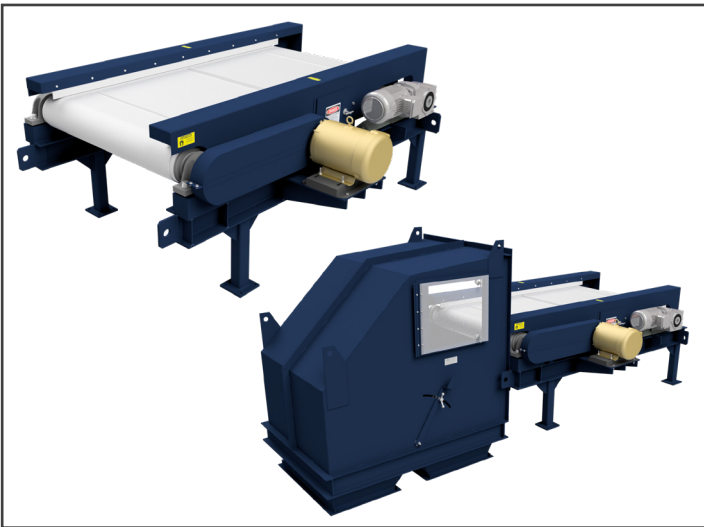
Dings Magnetic Circuit with blocking magnets between the poles



--- Indicates leakage converted to work force

## Eddy Current Separator: Concentric & Eccentric Designs

- ◇ Recover valuable non-ferrous
- ◇ Layered Shell designs protects valuable components
- ◇ Polyurethane or nitrile wear resistant belt.
- ◇ Belt motor moves with take-up assembly for easy tracking and adjustment
- ◇ Oversized, high speed rotor bearings & shaft



### Dings Eddy Current Concentric Design

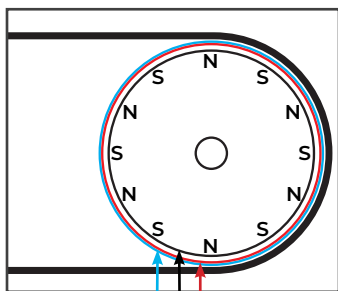
**9100:** Ideal for separating non-ferrous from fractional sizes up to the size of aluminum cans from a paper and plastic product stream in a low to medium level throughput.

**9500:** Ideal for separating aluminum cans and other non-fractional sized non-ferrous metal from a paper and plastic product streams. The 9500's larger magnetic rotor size allows for a heavier throughput over the smaller 9100 or eccentric models.

### Dings Eddy Current Eccentric Design

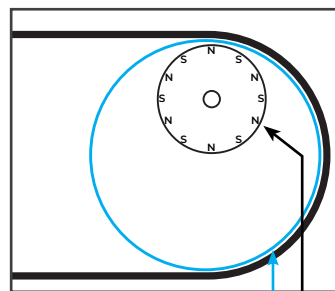
Ideal for separating non-ferrous from fractional sizes up to the size of aluminum cans from paper and plastic product streams in a low to medium level throughput. The 9900 has added features like access panels for easily replaceable belts and maintenance.

### Eddy Current Concentric Design



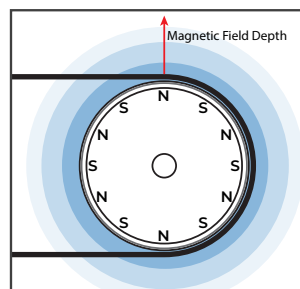
Ceramic Tile Shell Cover  
Fiberglass Rotor Shell  
Heavy-Duty Stainless Steel Rotor Cover

### Eddy Current Eccentric Design



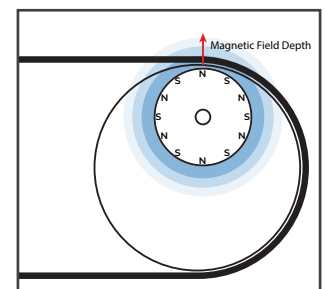
Fiberglass Wear Shield  
Heavy-Duty Stainless Steel Cover

### Eddy Current Concentric Design Magnetic Field



**Note:** Depth of magnetic field is relative to the size of magnets inside the rotor. For example the 9500 Model has a larger/deeper field in comparison to the 9100.

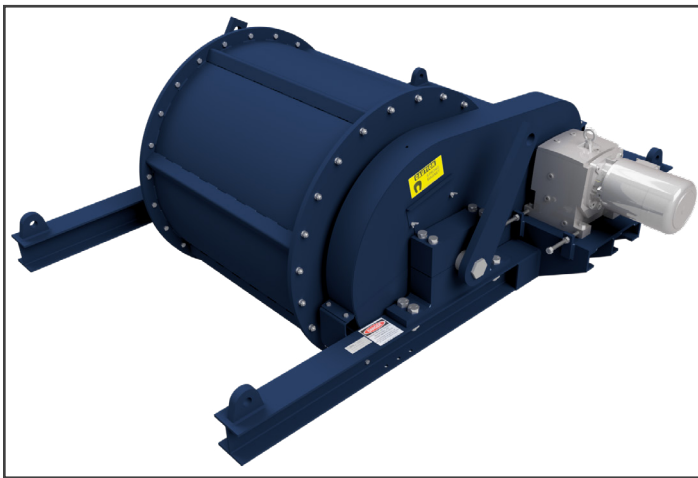
### Eddy Current Eccentric Design Magnetic Field



**Note:** The 9900 Model's magnetic field is the same as the 9100 version. However, it's off-center rotor design allows ferrous metal to be released rather than cling to the magnetic pulley.

## Deep Draw Drum:

- ◇ Designed with Ceramic VIII magnetic material encapsulated in stainless steel.
- ◇ Drum can be fed at any position with an adjustable internal magnet assembly
- ◇ Replaceable heavy duty manganese cover extends drum life
- ◇ Lateral or radial pole designs
- ◇ Magnetic adjusting arm rotates the magnet clockwise or counterclockwise
- ◇ Drum sized more efficiently for significant cost savings



## Dings Flux Control (DFC) Circuit

Dings Flux Control (DFC) Circuit design eliminates internal leakage between magnetic poles and improves separating performance. Other 'conventional' magnetic circuits contain air or filler material between the magnetic poles; this allows flux (magnetism) to escape (leak out) and be wasted. In Dings DFC design - blocking magnets are strategically positioned in the spaces between the magnetic poles. These redirect the flux outward, into your product, converting the wasted flux into working force - making the magnet more efficient.

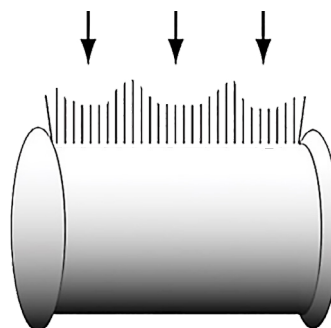
## Dings DFC Design improves the overall performance of the magnet in 3 ways

- ◇ The magnetic field is stronger
- ◇ The magnetic field extends deeper
- ◇ The magnetic field pattern is more uniform



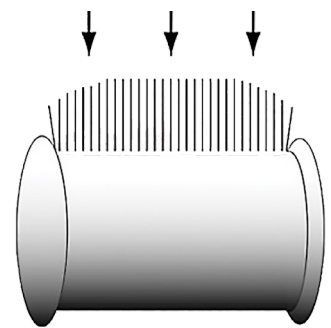
On Magnetism  
for all Permanent  
Magnets

Conventional Magnetic Circuit  
With "filler" between the poles



leakage

Dings Magnetic Circuit  
with blocking magnets  
between the poles



No leakage

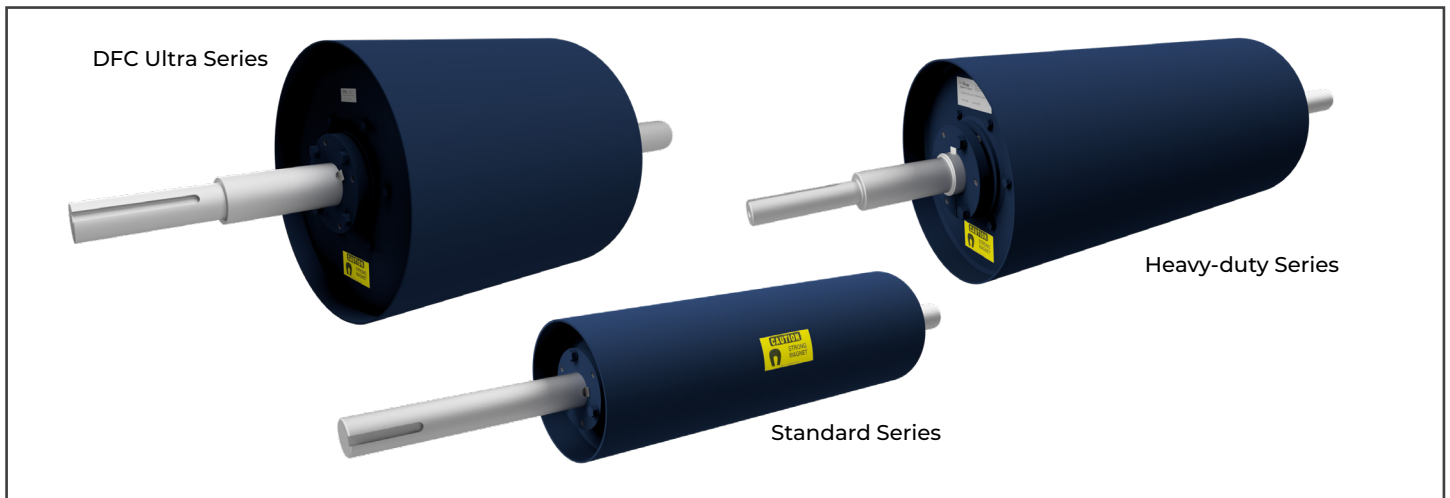
**Dings Deep Draw Drums** are specially designed for heavy duty, high-volume ferrous recovery. This large and powerful magnetic drum has a nonmagnetic outer shell that is driven around a fixed magnet. Ferrous metal is magnetically drawn out of the material feed, held against the rotating shell, and then released at the discharge point. Our Deep Draw Drum has the rugged construction needed for separating ferrous metal from the material stream in shredded cars, scrap metals, municipal solid waste, wood waste, slag, recycling crushed ore, ash at mass burn-out plants, and more. The Deep Draw Drum can be fed at multiple positions since the internal magnet assembly is adjustable.

The Dings Deep Draw Drum's permanent magnet design outperforms electric-powered models in a number of important ways, it always operates at top efficiency and maintains a constant magnetic strength throughout the day.

## Magnetic Head Pulleys

No Cost Operation

- ◇ Dings Flux Control (DFC) Circuit on our DFC Ultra Model
- ◇ Automatic and continuous separation
- ◇ Easily integrated into existing processing systems
- ◇ Magnet assembly filled with Ceramic VIII magnet material
- ◇ Type 304 nonmagnetic stainless steel shell



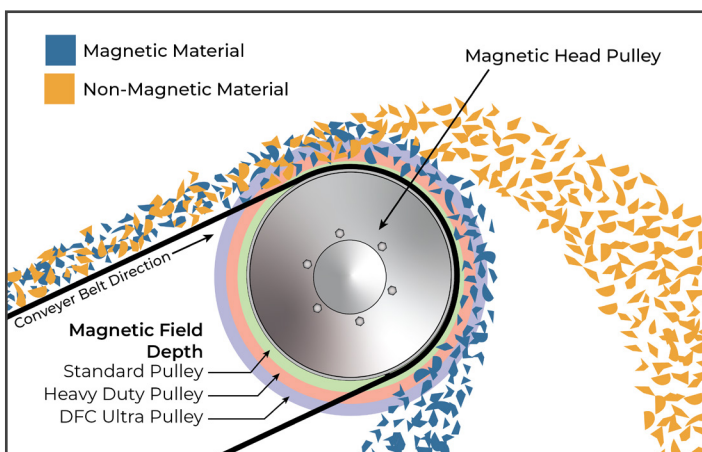
### Magnetic Head Pulleys

Are non-electric, self-cleaning magnetic separators. They operate as head pulleys on conveyors to separate tramp iron and iron impurities from materials conveyed in bulk form. They are designed for machinery protection and product purification. Our magnetic head pulley's magnetism is produced by an internal ceramic magnet assembly that is enclosed with a nonmagnetic stainless steel shell.

### Magnetic Head Pulley Operation & Strength

Since every application has its own specific needs regarding the magnetic depth of field required, Dings Company Magnetic Group is the only company to offer you three different magnetic strengths.

### Magnetic Head Pulley Material Trajectory



#### Dings Standard

8", 12" 15" 18" 20" & 24"  
Diameters

#### Dings Heavy Duty

12", 15", 18", 20", 24", 30", 36" & 42"  
Diameters

#### Dings DFC Ultra

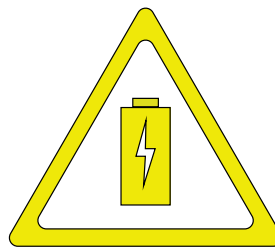
12", 15", 18", 20", 24", 30", 36" & 42"  
Diameters



**ADVANCED  
DETECTION  
SYSTEMS®**  
*Metal Detection Experts*

A Sister Company of  
Dings co. Magnetic  
Group


## Protect Your Corrugated Recycling Process from Dangerous Metallic Contaminants



### SurroundScan Protector Series Metal Detectors from ADS

Catch lithium-ion batteries  
and other dangerous metallic  
contaminants in your recycling  
process before they can cause  
fires..

## Engineering Driven - Customer Service Focused

 **Dings**  
CO.  
**magnetic group**  
Providing Engineered  
Magnetic Solutions for **125** Years

Dings Company Magnetic Group engineering and sales staff work together from our Milwaukee, WI factory to provide outstanding customer service from experts in magnetic separation. We listen to our customers to gain an understanding of their needs and apply our experience in their trade to provide magnetic separation equipment that is sized and positioned for the best possible performance in their specific application.

